



1. GRAPHIC + ANTIREFLECTION PROTECTOR **PLACEMENT**

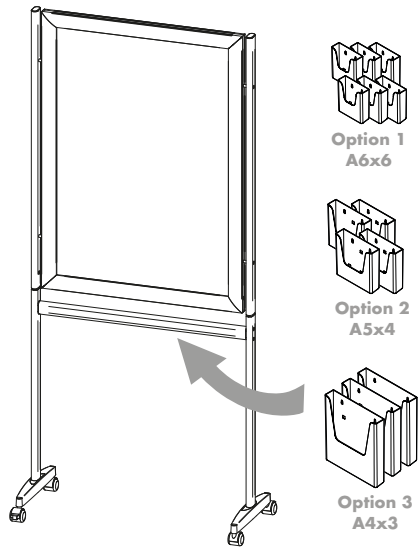


CONTENT

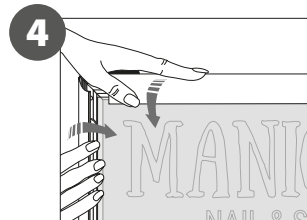
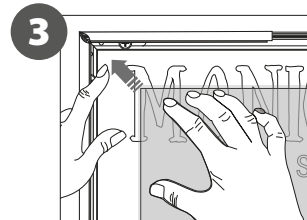
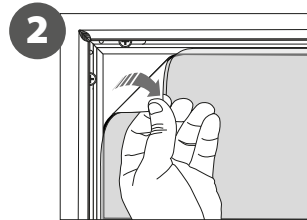
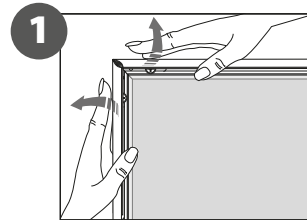
Open and check the content of the boxes and take out all the pieces carefully.

EXPO-06 is designed to be used with brochure advertising. It has a frame profile with click system. Also antireflection protectors and brake wheels.

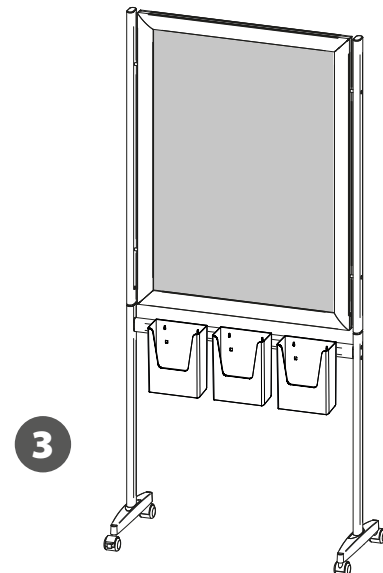
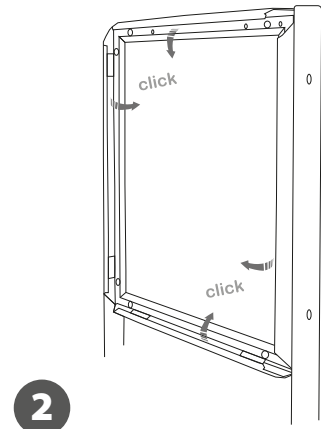
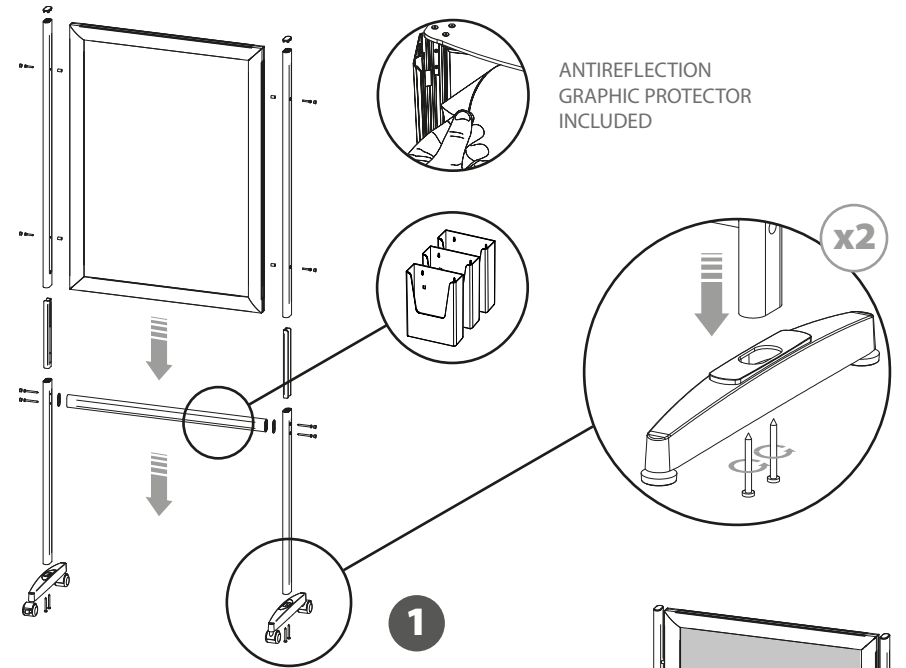
For setting-up the info frame, you must place its graphics (supplied separately) to the click frame following the next steps.



GRAPHIC ATTACHMENT **BY CLICK FRAME**



2. SET UP INFO FRAME **STRUCTURE**



For those cases in which the graphic is **supplied by the client**, we recommend making use of the materials listed in the following **QR code** (scan for downloading Excel file). Please contact us or visit www.cashdisplay.com for more information.